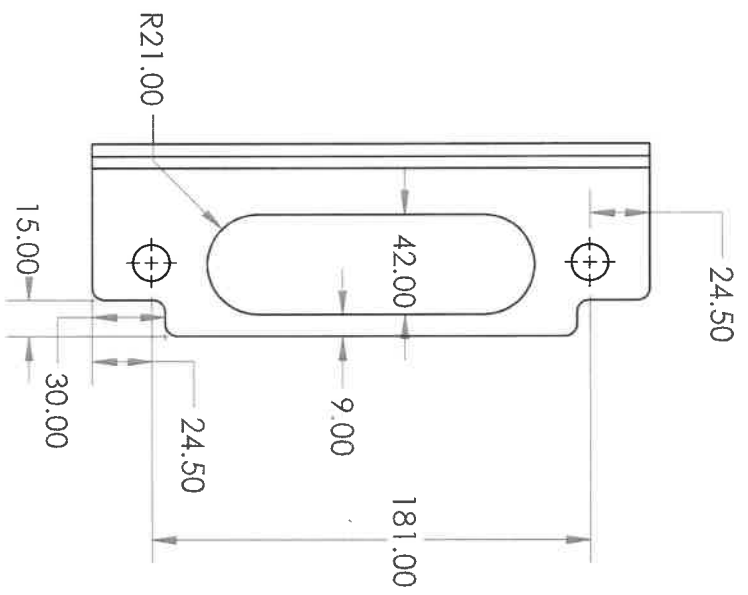
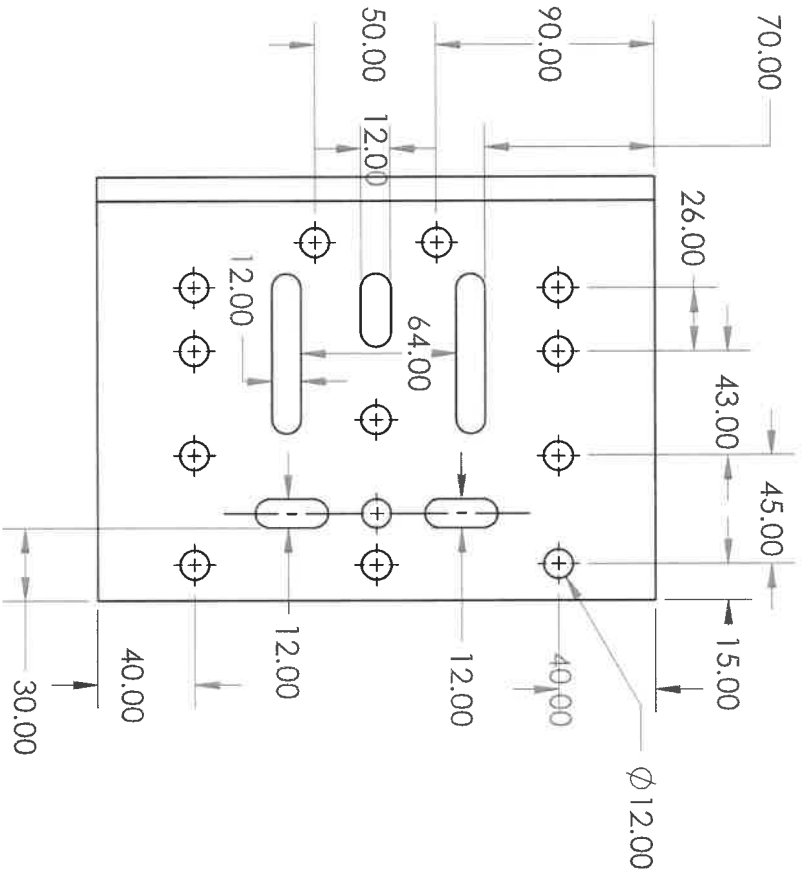


6 5 4 3 2 1



UNLESS OTHERWISE SPECIFIED:  
 DIMENSIONS ARE IN MILLIMETERS  
 SURFACE FINISH:  
 TOLERANCES:  
 LINEAR:  
 ANGULAR:  
 FINISH:  
 DEBURR AND  
 BREAK SHARP  
 EDGES

DO NOT SCALE DRAWING

| REVISION |
|----------|
|          |

TITLE:

| NAME   | SIGNATURE | DATE |
|--------|-----------|------|
| DRAWN  |           |      |
| CHKD   |           |      |
| APP'VD |           |      |
| MFG    |           |      |
| Q.A    |           |      |

MATERIAL:

DWG NO. 3-200346

SCALE: 1:4

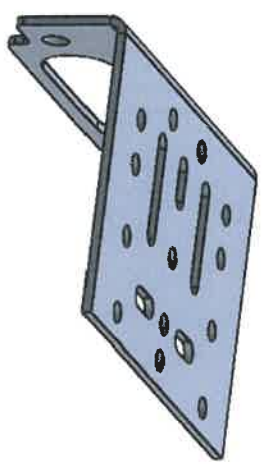
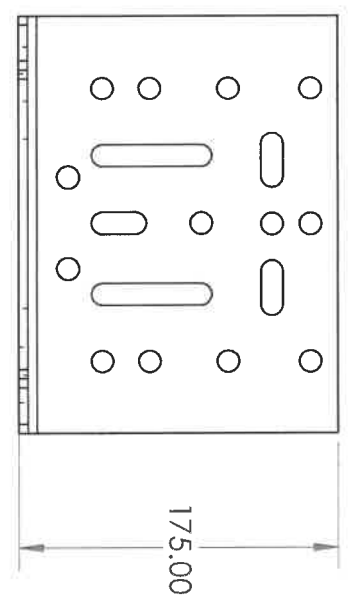
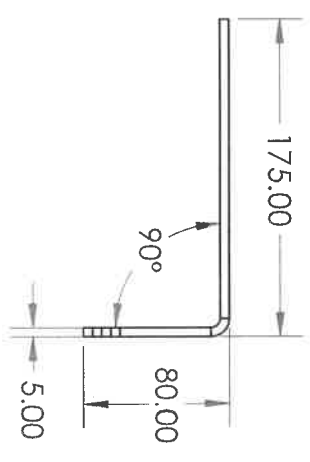
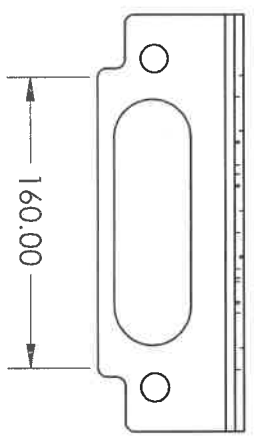
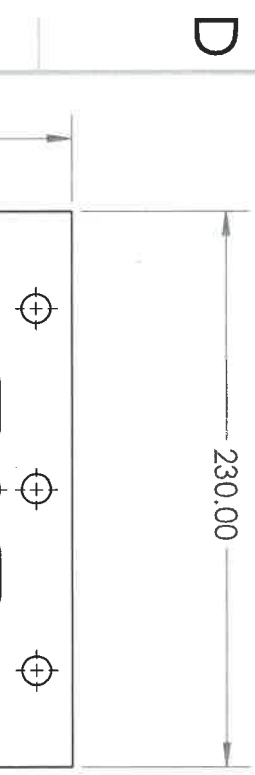
SHEET 2 OF 2

A4

A B C D A B C D

6 5 4 3 2 1

6 5 4 3 2 1



|  |      |           |      |                                   |          |                      |              |          |    |  |
|--|------|-----------|------|-----------------------------------|----------|----------------------|--------------|----------|----|--|
| UNLESS OTHERWISE SPECIFIED:<br>DIMENSIONS ARE IN MILLIMETERS |      | FINISH:   |      | DEBUR AND<br>BREAK SHARP<br>EDGES |          | DO NOT SCALE DRAWING |              | REVISION |    |  |
| TOLERANCES:  |      |           |      |                                   |          |                      |              |          |    |  |
| LINEAR:  |      |           |      |                                   |          |                      |              |          |    |  |
| ANGULAR:   |      |           |      |                                   |          |                      |              |          |    |  |
| DRAWN  | NAME | SIGNATURE | DATE | TITLE:                            | DWG NO.  | SCALE: 1:4           | SHEET 1 OF 2 |          | A4 |  |
| CHKD   |      |           |      |                                   | 3-200346 | A4                   |              |          |    |  |
| APPVD  |      |           |      |                                   |          |                      |              |          |    |  |
| MFG  |      |           |      |                                   |          |                      |              |          |    |  |
| Q.A  |      |           |      |                                   |          |                      |              |          |    |  |
| MATERIAL:  |      |           |      |                                   |          |                      |              |          |    |  |
| WEIGHT:  |      |           |      |                                   |          |                      |              |          |    |  |

A 6 5 4 3 2 1